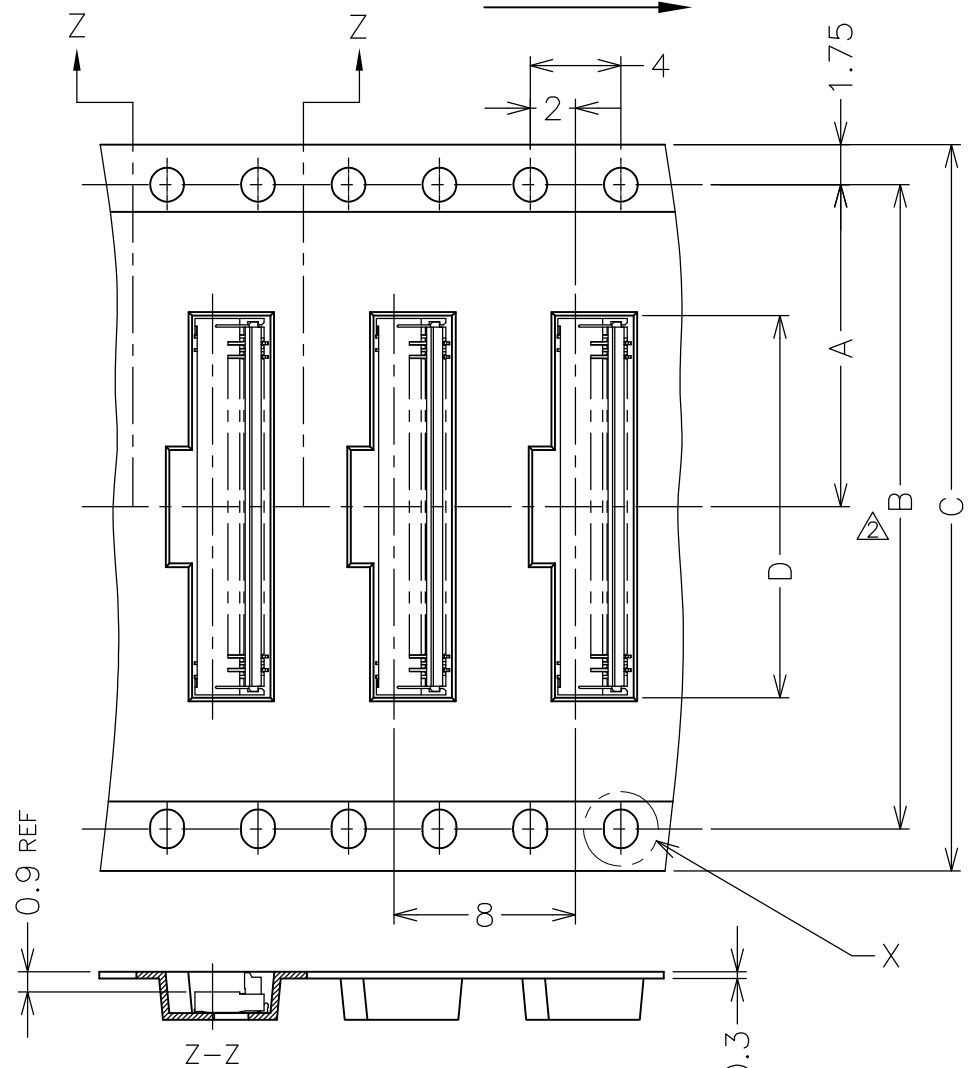


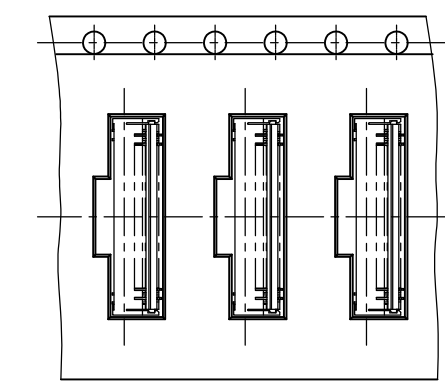
THIS DRAWING IS UNPUBLISHED. RELEASED FOR PUBLICATION
 © COPYRIGHT - By - ALL RIGHTS RESERVED.

LOC	DIST	REVISIONS					
J	-	P	LTR	DESCRIPTION	DATE	DWN	APVD
		H		REVISED PER ECR-11-008941	28JUL11	T.T	T.M

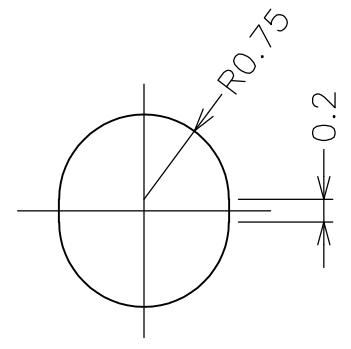
リール引出し方向
DIRECTION OFF TOP OF REEL



VIEW Y (NTS)
テープ幅32mm以上に適用
APPLIED TAPE WIDTH 32MM, MORE.



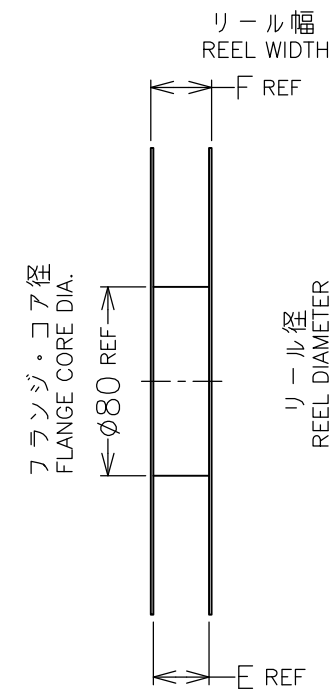
VIEW Y (2/1)
テープ幅12mm, 16mm, 24mmに適用
APPLIED TAPE WIDTH 12MM, 16MM AND 24MM.



DETAIL X (NTS)

- △ GENERAL TOLERANCE
 10 ≧ : ±0.2
 30 ≧ > 10 : ±0.25
 100 ≧ > 30 : ±0.3
 ANGLES: ±3°
- △ DIM. B AND DETAIL "X" APPLIED
 TAPE WIDE, 32mm MORE.

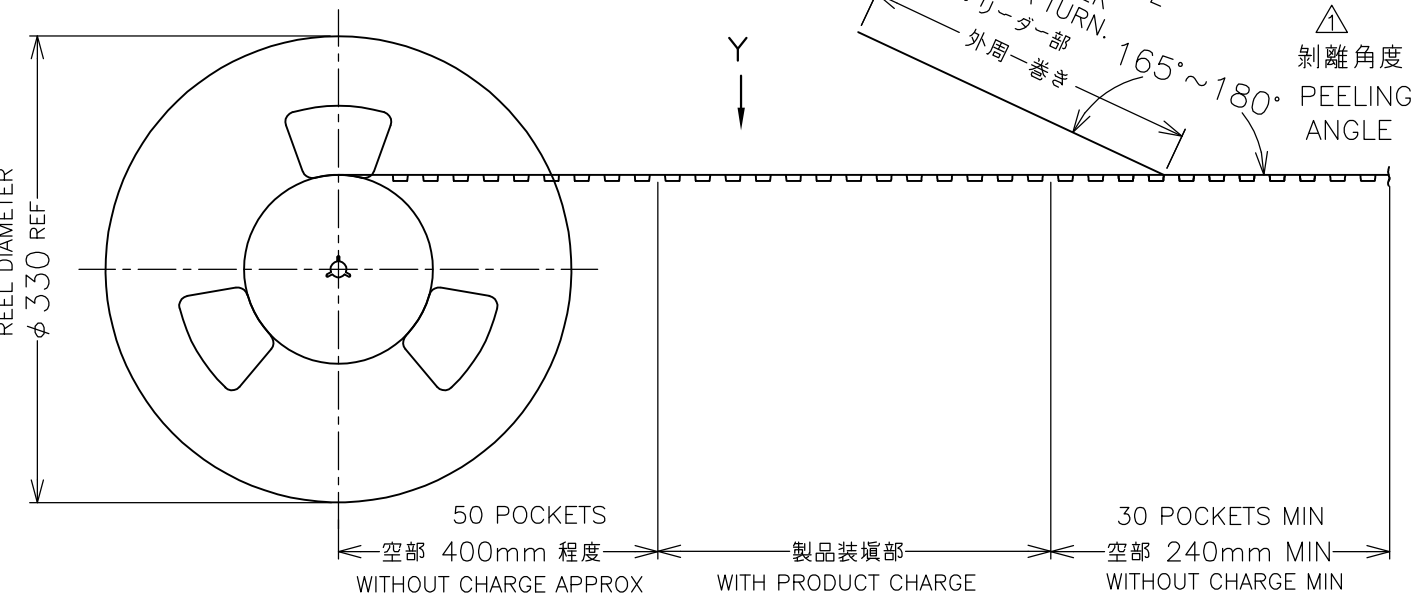
- △ 一般公差
 10以下: ± 0.2
 10を越え 30以下: ± 0.25
 30を越え 100以下: ± 0.3
 角 度: ± 3°
- △ B寸法及び "X" 詳細図は、
 テープ幅32mm以上に適用



フランジ・コア径
FLANGE CORE DIA.
φ80 REF

リール幅
REEL WIDTH
F REF

リール径
REEL DIAMETER
φ330 REF



WINDING THE COVER TAPE
AROUND THE OUTER
PERIPHERY IN A TURN.
カバーテープ・リーダー部
外周一巻き
165°~180°
剥離角度
PEELING
ANGLE

STATUS	CONNECTOR WEIGHT	F	E	D	C	B	A	数量 (ヶ) QTY/REEL	POS.(N)	EMBOSS TAPE PACKAGING PART NUMBER	
OBSOLETE	AVAILABLE	0.089g	30.4	24.4	15.0	24	—	11.5	3000	45	1-2013928-8
	AVAILABLE	0.085g	30.4	24.4	14.4	24	—	11.5	3000	43	1-2013928-7
	AVAILABLE	0.081g	30.4	24.4	13.8	24	—	11.5	3000	41	1-2013928-6
	AVAILABLE	0.077g	30.4	24.4	13.2	24	—	11.5	3000	39	1-2013928-5
	AVAILABLE	0.074g	30.4	24.4	12.6	24	—	11.5	3000	37	1-2013928-4
	AVAILABLE	0.066g	30.4	24.4	11.4	24	—	11.5	3000	33	1-2013928-2
	AVAILABLE	0.055g	30.4	24.4	9.6	24	—	11.5	3000	27	2013928-9
	AVAILABLE	0.052g	22.4	16.4	9.0	16	—	7.5	3000	25	2013928-8

THIS DRAWING IS A CONTROLLED DOCUMENT.

DIMENSIONS: mm

TOLERANCES UNLESS OTHERWISE SPECIFIED:
 0 PLC ±
 1 PLC ±
 2 PLC ±
 3 PLC ±
 4 PLC ±
 ANGLES ±
 FINISH ±

MATERIAL

DWN Y.KODAIRA 24MAR2008
 CHK T.KUSUHARA 25MAR2008
 APVD T.KUSUHARA 25MAR2008

NAME: 0.3FPC Narrow BF-U
 0.9mmH, 3.8mmW
 GOLD PLATE

APPLICATION SPEC: 108-78574
 411-78318

WEIGHT: SEE TABLE

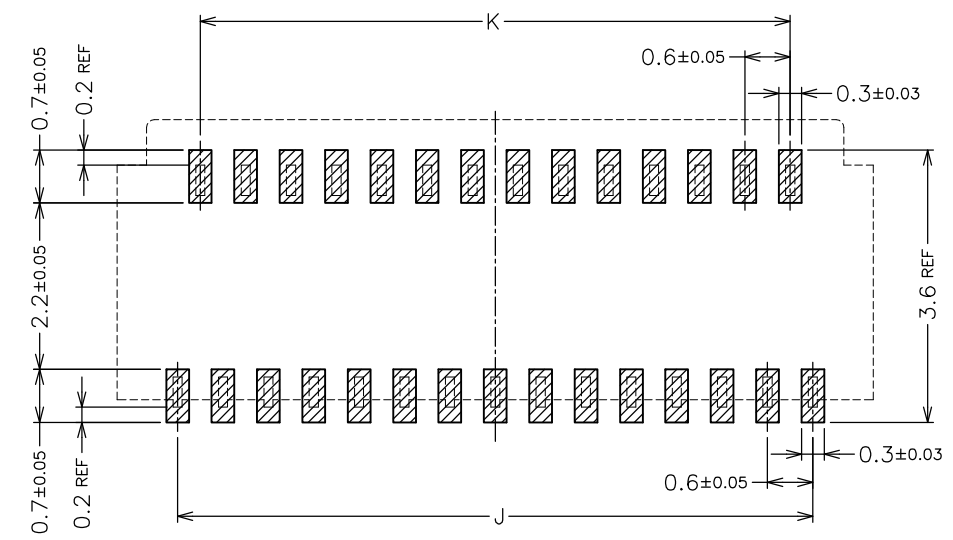
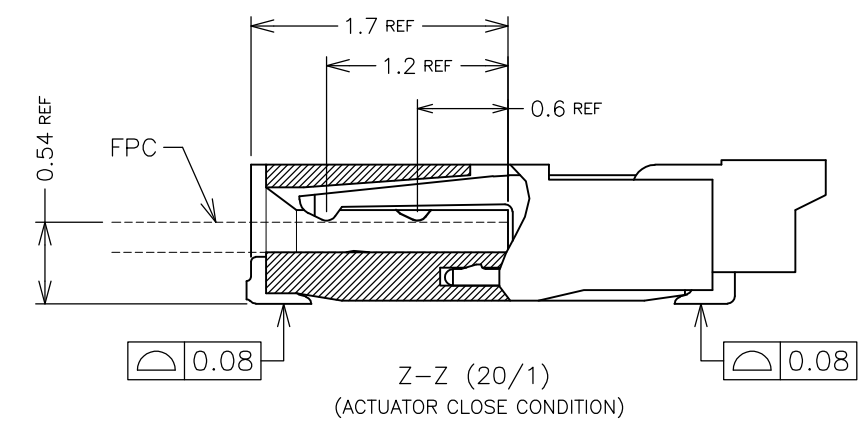
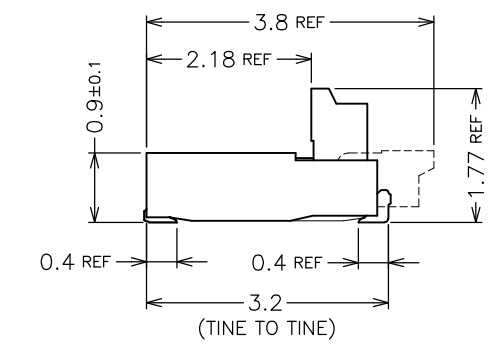
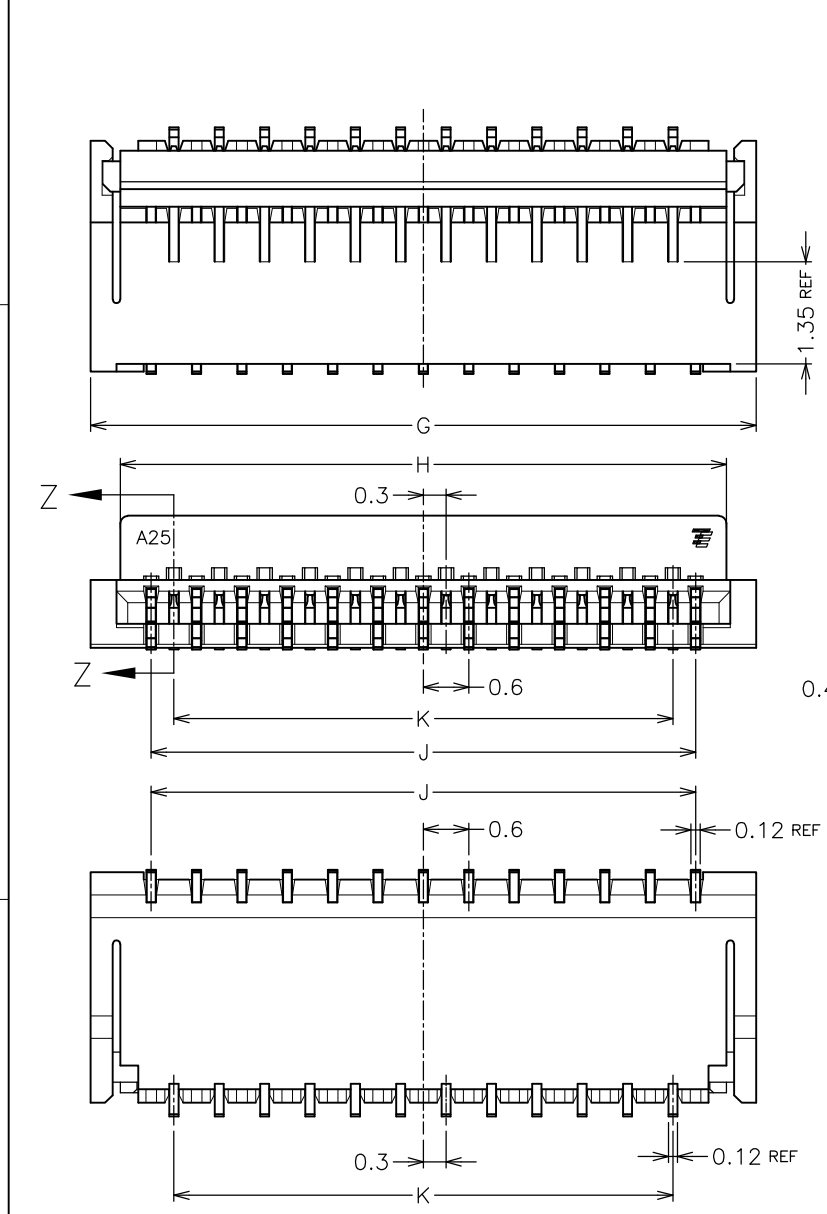
SIZE: A3 CAGE CODE: 00779 DRAWING NO: C-2013928

RESTRICTED TO: -

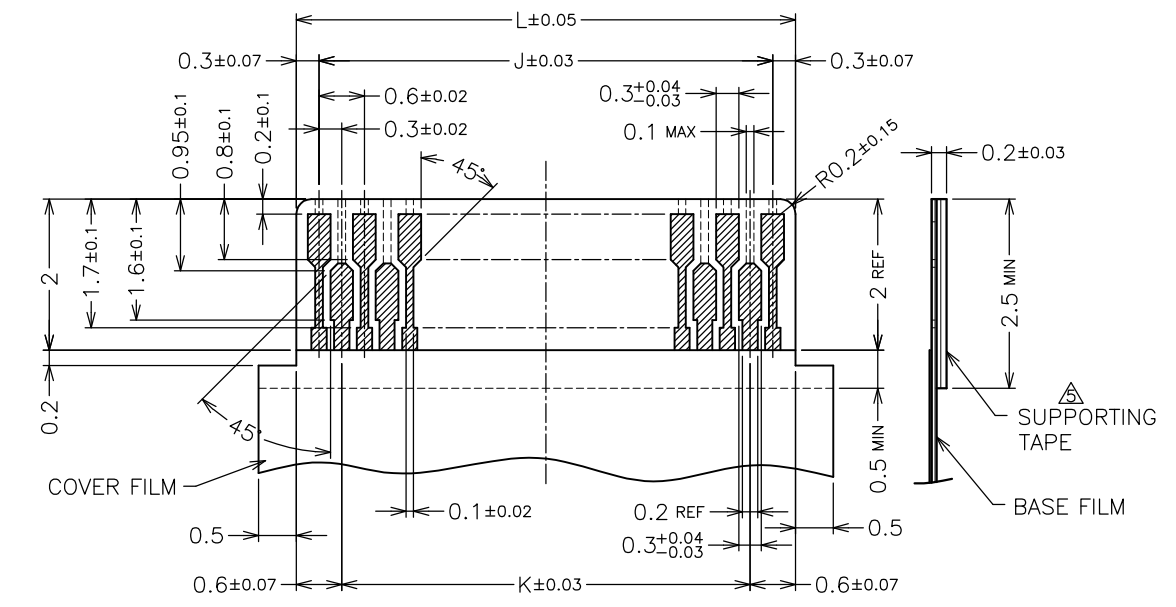
CUSTOMER DRAWING SCALE: NTS SHEET: 1 OF 2 REV: H

THIS DRAWING IS UNPUBLISHED. RELEASED FOR PUBLICATION
 © COPYRIGHT - By - ALL RIGHTS RESERVED.

LOC	DIST	REVISIONS					
J	-	P	LTR	DESCRIPTION	DATE	DWN	APVD
		-		SEE SHEET 1	-	-	-



RECOMMENDED PCB PATTERN DIMENSION (10/1)



RECOMMENDED FPC PATTERN DIMENSION (10/1)
 CONDUCTOR : GOLD OVER NICKEL PLATING (Au 0.1μm MIN.)

- △ MATERIAL
 HOUSING : THERMO PLASTIC
 ACTUATOR : THERMO PLASTIC
 FRONT CONTACT : COPPER ALLOY
 REAR CONTACT : COPPER ALLOY
- △ FINISH
 FRONT CONTACT : GOLD OVER NICKEL PLATING
 REAR CONTACT : GOLD OVER NICKEL PLATING
- △ THE SUPPORTING TAPE OF FPC IS RECOMMENDED TO USE THE POLYIMIDE OR THE EQUIVALENT MATERIAL OF THE THICKNESS OF 50μm OR MORE.
- △ 材質
 ハウジング : 耐熱樹脂
 アクチュエーター : 耐熱樹脂
 フロントコンタクト : 銅合金
 リアコンタクト : 銅合金
- △ めっき
 フロントコンタクト : 金めっき(ニッケル下地めっき)
 リアコンタクト : 金めっき(ニッケル下地めっき)
- △ FPCの補強板には、厚さ50μm以上のポリイミドまたは相当材の使用を推奨する。

A

13.8	12.6	13.2	14.02	14.8	45	1-2013928-8
13.2	12.0	12.6	13.42	14.2	43	1-2013928-7
12.6	11.4	12.0	12.82	13.6	41	1-2013928-6
12.0	10.8	11.4	12.22	13.0	39	1-2013928-5
11.4	10.2	10.8	11.62	12.4	37	1-2013928-4
10.2	9.0	9.6	10.42	11.2	33	1-2013928-2
8.4	7.2	7.8	8.62	9.4	27	2013928-9
7.8	6.6	7.2	8.02	8.8	25	2013928-8
L	K	J	H	G	POS.	CONN. PART No.

THIS DRAWING IS A CONTROLLED DOCUMENT.

DIMENSIONS: mm	TOLERANCES UNLESS OTHERWISE SPECIFIED: 0 PLC ± 0.3 1 PLC ± 0.3 2 PLC ± 0.3 3 PLC ± 0.3 4 PLC ± 0.3 ANGLES ± 3°	DWN	TE Connectivity NAME 0.3FPC Narrow BF-U 0.9mmH, 3.8mmW GOLD PLATE				
	MATERIAL	CHK					
		APVD					
		PRODUCT SPEC					
		APPLICATION SPEC					
		WEIGHT	SIZE	CAGE CODE	DRAWING NO	RESTRICTED TO	
			A3	00779	C-2013928	-	
			CUSTOMER DRAWING		SCALE 10:1	SHEET 2 OF 2	REV H